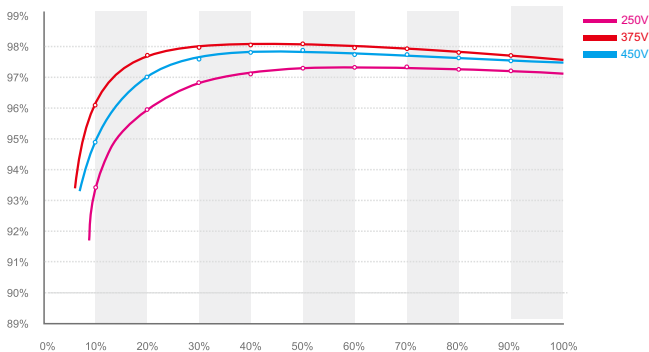


Leading - edge Technology

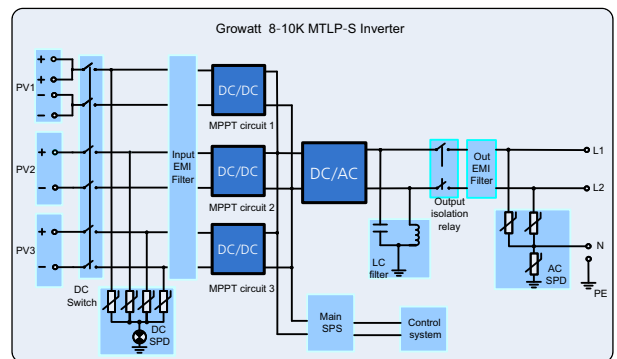
- ▶ Maximum efficiency of 98.1% and wide input voltage range
- ▶ Internal DC switch
- ▶ Transformerless GT topology
- ▶ Compact design
- ▶ 3 MPP tracker
- ▶ Sound control
- ▶ Easy installation
- ▶ MTL - String
- ▶ Ethernet / RF technology / WiFi



Growatt 10000MTLP-S efficiency



Growatt 8-10K MTLP-S topology



Datasheet	Growatt 8000MTLP-S	Growatt 9000MTLP-S	Growatt 10000MTLP-S
Input data(DC)			
Max. input power per MPP tracker	9600W	10800W	12000W
Max. DC voltage	600V	600V	600V
Start voltage	140V	140V	140V
Nominal voltage	360V	360V	360V
MPP voltage range	110V-500V	110V-500V	110V-500V
No. of MPP trackers	3	3	3
No. of PV strings per MPP trackers	1/1/2	1/1/2	1/1/2
Max. input current per MPP trackers	12.5A/12.5A/25A	12.5A/12.5A/25A	12.5A/12.5A/25A
Max. short-circuit current per MPP trackers	32A	32A	32A
Output data(AC)			
Nominal AC output power	8000W	9000W	10000W
Max. AC apparent power	8800VA	9900VA	10000VA
Nominal AC voltage; range	220V/230V ;184V~276V	220V/230V ;184V~276V	220V/230V ;184V~276V
AC grid frequency; range	50Hz/60Hz;45~65Hz	50Hz/60Hz;45~65Hz	50Hz/60Hz;45~65Hz
Max. output current	34.8A	39.1A	43.5A
Power factor(@nominal power)	>0.99	>0.99	>0.99
Adjustable power factor	0.8leading~0.8lagging	0.8leading~0.8lagging	0.8leading~0.8lagging
THDI	<3%	<3%	<3%
AC grid connection type	L/N/PE L1/L2/N/PE	L/N/PE L1/L2/N/PE	L/N/PE L1/L2/N/PE
Efficiency			
Max. efficiency	98.1%	98.1%	98.1%
Euro-eta	97.6%	97.6%	97.6%
Protection devices			
DC reverse-polarity protection	yes	yes	yes
DC switch	yes	yes	yes
DC Surge protection	Type II	Type II	Type II
Insulation resistance monitoring	yes	yes	yes
AC surge protection	Type II	Type II	Type II
AC short-circuit protection	yes	yes	yes
Ground fault monitoring	yes	yes	yes
Grid monitoring	yes	yes	yes
Anti-islanding protection	yes	yes	yes
Residual-current monitoring unit	yes	yes	yes
AFCI protection	yes	yes	yes
General Data			
Dimensions (W / H / D)	355*620*260mm	355*620*260mm	355*620*260mm
Weight	28kg	28kg	28kg
Operating temperature range	-25 °C ... +60 °C(>45°C derating)	-25 °C ... +60 °C(>45°C derating)	-25 °C ... +60 °C(>45°C derating)
Noise emission (typical)	≤35dB	≤35dB	≤35dB
Altitude	4000m	4000m	4000m
Internal consumption at night	<1W	<1W	<1W
Topology	Transformerless	Transformerless	Transformerless
Cooling	Nature Convection	Nature Convection	Nature Convection
Electronics protection degree	IP65	IP65	IP65
Relative humidity	0~100%	0~100%	0~100%
DC connection	H4/MC4(optional)	H4/MC4(optional)	H4/MC4(optional)
AC connection	Cable gland+OT terminal	Cable gland+OT terminal	Cable gland+OT terminal
Features			
Display	LCD	LCD	LCD
Interfaces: RS485/WIFI/GPRS/4G/RF	yes/opt/opt/opt/opt	yes/opt/opt/opt/opt	yes/opt/opt/opt/opt
Warranty: 5 years/10 years	yes/opt	yes/opt	yes/opt

Certificates and Approvals

NBR16149, NBR16150, INMETRO, EN61000-6-2, EN61000-6-3, IEEE1547, FCC, IEC/EN62109-1, IEC/EN62109-2, UL1741